

  
restart

INVICTA POINT



SitLand®

# CUSTOMIZABLE AND EASY TO USE

Invicta Point is the office chair that embodies in a single product, design, ergonomics and advanced technology. A chair easy to use that adapts to every environment and satisfies different needs.



## 10 SECONDS TO CHANGE LOOK

Invicta Point can be customised in just a few seconds, thanks to the 19 colours of the removable seat covers. The removable cover is easy to apply and thanks to the stitching system, the result is excellent. Further character is also given by the lumbar support, where you insert your badge.

## GIVE A NAME TO YOUR CHAIR

Invicta Point is equipped with lumbar support studied to be comfortable, and also to allow the application of a personalized badge. The badge can be applied and removed in one simple gesture.

## THE MECHANICS OF COMFORT

Invicta Point features a synchro mechanism that allows adjusting the seat and back tilt angle, lockable in 4 positions with the anti-shock system. The tilt tension can be adjusted by a practical side handle, according to the user's weight. Moreover, Invicta Point seat can move in tune with its user or adjusted at the required depth.

## ERGONOMIC AND BREATHABLE

Invicta Point back is in polyamide and is available with mesh upholstery or with a particular technical padding. The back with mesh upholstery offers an ultra-elastic support that adapts to the user's posture, ensuring comfort and perfect breathability. In the technical version, the back instead is upholstered with technical padding shaped using the thermo-moulding technique that does not require bonding agents and ensures high durability.

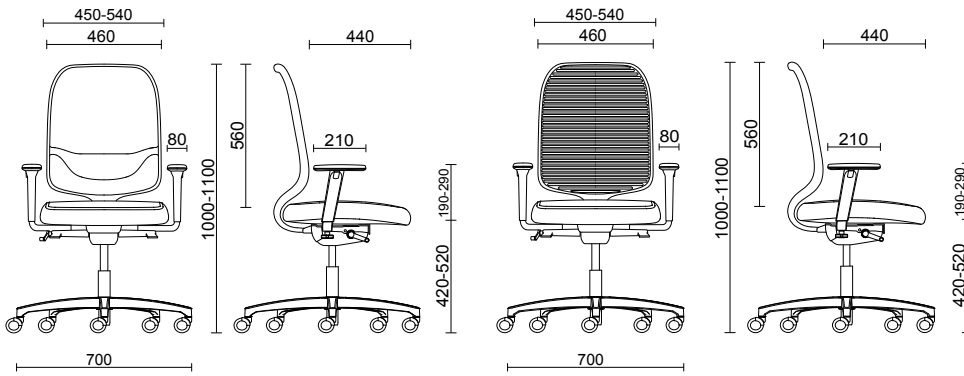
## COMFORTABLE

For improved comfort, Invicta Point seat pad is in flexible cold injected polyurethane foam, crushproof, with "Comfort-Air" technology. Moreover, the rear side of the back features a practical lumbar support that can be adjusted in height, ensuring proper support at the base of the spine.

## 100% CUSTOMISABLE

Different types of armrests, bases and casters and two colours of plastics for the structure offer the possibility to choose the most suitable version for your needs.

# MODEL AND DIMENSIONS



Invicta Point

Invicta Point Techno

## MECHANISM

	INVICTA POINT	INVICTA POINT TECHNO
Synchronized mechanism for the adjustment of back and seat angle, lockable in 5 positions with anti-shock system adjustment of the tension of the body-weight using a side handle.	<input type="checkbox"/>	<input type="checkbox"/>
Synchronized mechanism for the adjustment of back and seat angle, lockable in 5 positions with anti-shock system adjustment of the tension of the body-weight using a side handle. Seat adjustable in depth and lockable in the desired position, by means of a lever in the right side of the mechanism.	<input type="checkbox"/>	<input type="checkbox"/>
Gas lift seat height adjustment	<input type="checkbox"/>	<input type="checkbox"/>

## BACK LUMBAR SUPPORT



Back lumbar support adjustable in height. Highly elastic, with support on the rear side to hold a badge.

## ARMS



Pair of 4D adjustable arms, in height and in width. Black polyamide support. Soft-touch black TPE Top, adjustable in depth and pivoting.



Pair of 4D adjustable arms, in height and in width. Light grey polyamide support. Soft-touch black TPE Top, adjustable in depth and pivoting.



Pair of 2D adjustable arms, in height and in width. Black polyamide support. Fixed top in soft-touch TPE.

## BASES



High resistance 5-star base in light grey (Ral 7035) nylon with strengthening steel ring, ø 700 mm.



High resistance 5-star base in black nylon with strengthening steel ring, ø 700 mm.



5-star die-cast aluminium base, polished, ø 700 mm.

# CASTERS



Self-braking rubber casters ø 50 mm for hard floors, black structure.



Free casters ø 50 mm, black structure.



Self braking casters ø 50 mm, black structure.



Self-braking rubber casters, ø 65 mm for hard floors.



Hollow free and rubber casters, ø 65 mm for hard floors, black structure.



Hollow free and rubber casters, ø 65 mm for hard floors, chromed structure.

# COLOURS, MATERIALS, FINISHING \*

## STRUCTURE COLOUR



Black polyamide



Light grey polyamide RAL 7035

## BACK LUMBAR SUPPORT FINISHING



Black polypropylene



Light grey polypropylene RAL 7035

## SEAT UPHOLSTERY



Fabric AB Xtreme Plus  
19 colours



Fabric BN  
12 colours



Fabric FE  
21 colours



Fabric IP  
19 colours



Fabric ME  
21 colours



Fabric tecnico CI-CX  
26 colours



Rete RR  
11 colours

## TECHNICAL BACK UPHOLSTERY



Fabric AB Xtreme Plus  
5 colours



Fabric BN  
5 colours



Fabric IP  
7 colours



Fabric ME  
8 colours



Fabric FE  
9 colours

## BACK MESH



Mesh RP  
9 colours



Mesh RR  
11 colours

## COVER-SEAT UPHOLSTERY



Fabric IP 01



Fabric IP 02



Fabric IP 03



Fabric IP 04



Fabric IP 05



Fabric IP 06



Fabric IP 07



Fabric IP 08



Fabric IP 09



Fabric IP 10



Fabric IP 11



Fabric IP 12



Fabric IP 13



Fabric IP 14



Fabric IP 15



Fabric IP 16



Fabric IP 17



Fabric IP 18



Fabric IP 19

\* Please refer to the Price list in force and to the General sale conditions for the colours and the combinations available for every single product. Colours shown are used for reference only and may look different in reality. Please contact SitLand to receive more information.

## GREENGUARD CERTIFICATION



Invicta Point has achieved GREENGUARD and GREENGUARD GOLD Certification.

GREENGUARD e GREENGUARD Gold are products' certifications released after accurate laboratory tests which assure a low level of chemical emissions of the GREENGUARD tested products in the inner environments. As a matter of fact, in the inner environments, the air is 2 - 5 times more polluted than on the outside and the pollutants comes from products and materials that we use every day. Therefore, the quality of air in the inner spaces is an important issue when people pass the most part of their time in inner environments.

The products certified GREENGUARD ensure a low level of chemical emissions, therefore a better quality of air in those places where they are used. Those chairs which obtained the GREENGUARD Gold certification grant the total absence of chemical emissions, then they are the safest choice for public spaces like schools and healthcare setting. The products certified GREENGUARD contribute to create Leed buildings.

For more information on GREENGUARD, visit the official web site [ul.com/gg](http://ul.com/gg).

## PCON.PLANNER



It is possible to configurate our model Invicta Point by using pCon.planner program for the design of 2D an 3D environment.

pCon.planner allows to design working solutions in a fast and intuitive way, creating "realistic" images with advanced features, with a considerable saving of time and resources.

It is easy to start using pCon.planner: after downloading the software in the proper page, it is possible to download pCon.catalog, the practical online catalogue of products ready to be set up according to anyone's need, and then include the products in the projects.

For more information on the use of pCon.planner and the access to the products of the SitLand's catalogues, please contact [com@sitland.com](mailto:com@sitland.com)

## WARRANTY



Invicta Point has 5 years warranty. For any further detail, please contact SitLand's customer service at [service@sitland.com](mailto:service@sitland.com)

## MORE INFORMATION

Please look through our catalogue to see all the different versions available of Invicta Point

[http://www.sitland.com/sitland\\_catalogues/sitland\\_general\\_catalogue/sitland\\_general\\_catalogue.html#p=106](http://www.sitland.com/sitland_catalogues/sitland_general_catalogue/sitland_general_catalogue.html#p=106)

or see our Invicta Point page into our web site [www.sitland.com](http://www.sitland.com)

[http://www.sitland.com/php/eng/prodotti\\_detail/id\\_237\\_product\\_invicta-point.html](http://www.sitland.com/php/eng/prodotti_detail/id_237_product_invicta-point.html)

# SitLand®

SitLand S.p.A.  
Via Cà Silvestre, 52  
36024 Nanto - Vicenza - Italy  
info@sitland.com - www.sitland.com  
Tel. +39 0444 637100



SitLand S.p.A. is certified  
UNI EN ISO 9001: 2008  
UNI EN ISO 14001: 2004

Follow us on:

